

Residential Control Enclosure

Large enclosure box for mounting ground blocks etc.

- * UV resistant grey plastic
- * Measures 9.4" wide by 9.4" tall by 4" tall
- * Plastic lock loop
- * Room enough to turn RG-6 and not crimp the coax
- * Accommodates most ground blocks

ds\specifications\pvcb2gry



Product Description

This box was initially designed to mount and protect grounding blocks. It can be used for multiple other purposes where a water resistant outdoor box is needed.

The water shielding characteristic protects outdoor F connectors, wire junctions, small indoor type switches or splitters and a multitude of other tasks you may have.

The box has a plastic locking loop on the bottom where you could put a small lock or wire seal for moderate security.

Keeps any necessary wire loops and other assorted hardware out of site for a professional looking installation. Could be used INDOORS for similar purposes of neatness.

Mechanical

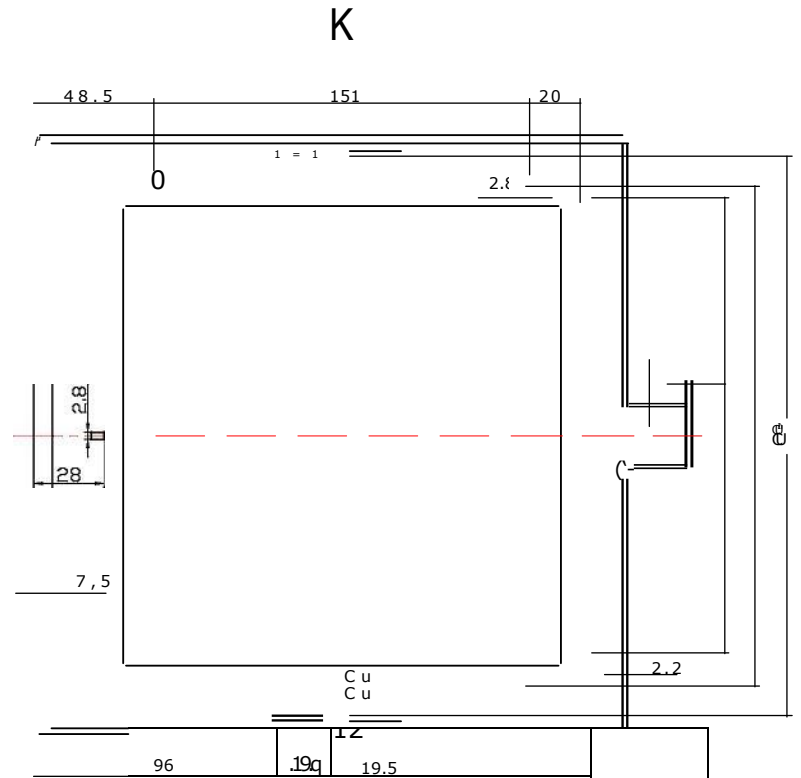
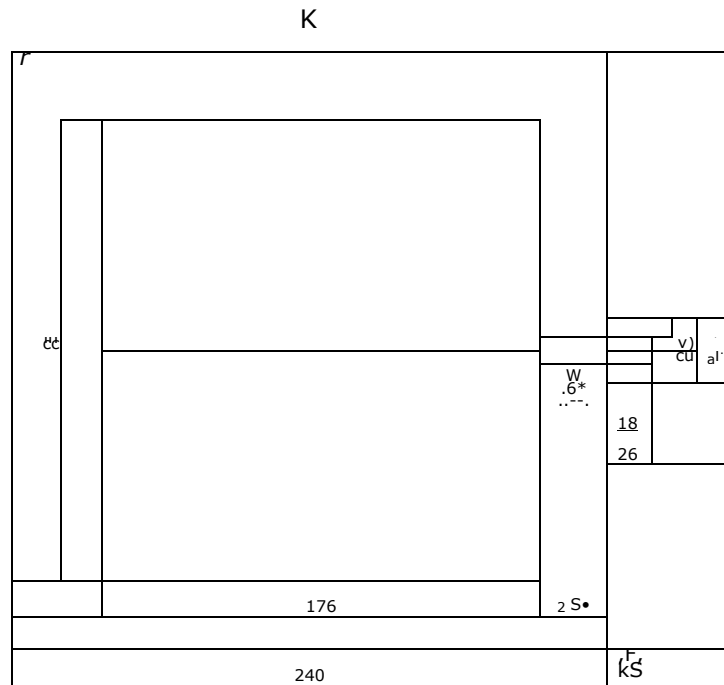
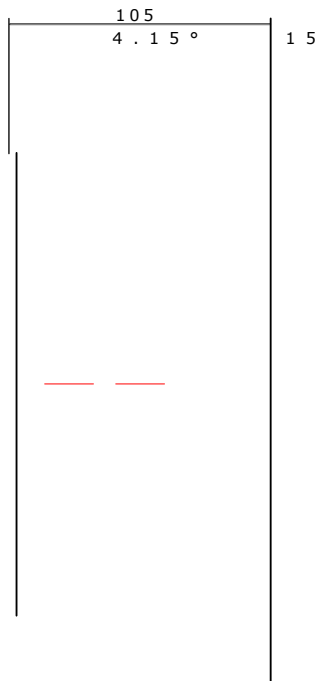
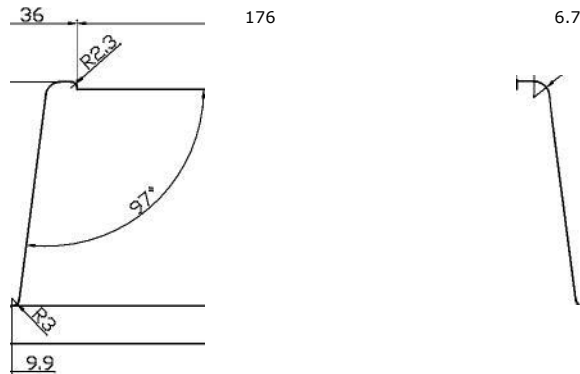
See the attached two pages for specifics on case construction and wire access points.

Note that the pre-drilled pilot holes in the back plate have $\frac{1}{2}$ " spacing and can accommodate SCTE defined grounding blocks without drilling any more holes.

Box has thick walls and is quite rugged in design.

Two piece design. Back plate mounts permanently to a wall, front cover is removable.

NO.	Revision	Changed	Date	Approved
A				
A				



R*0*:
t1 71,0,10

2. */tIMAI•11Z2.,

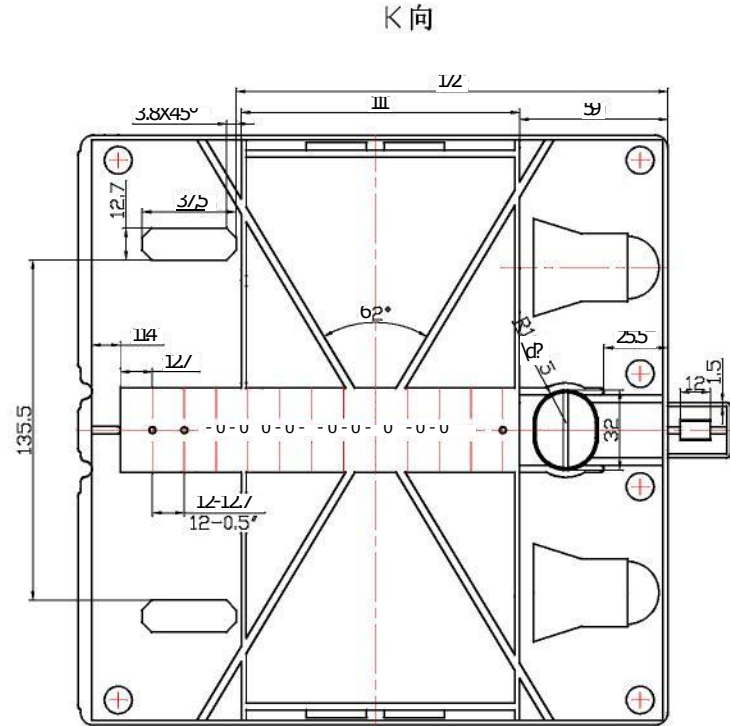
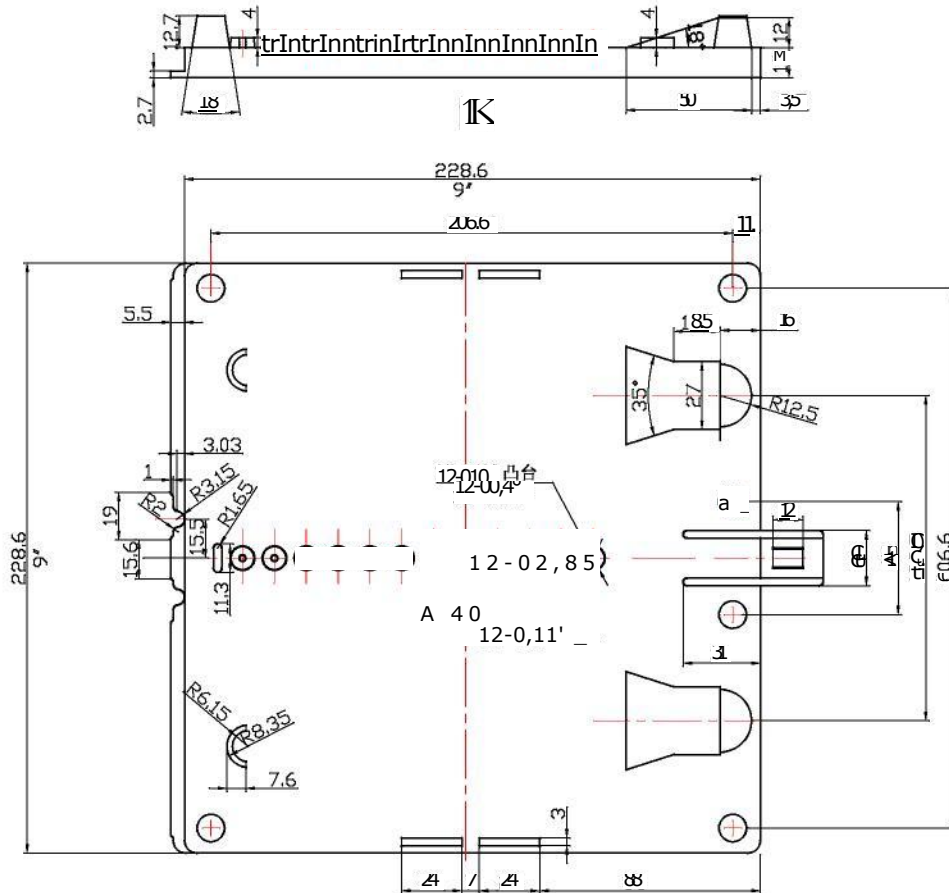
3. RUV.

NOTE:

- 1 .The surface should be neat and no burr.
- 2.The unmarked radius of rounded angle is R2. 3.UV resist.

		TOLERANCE				TITLE	
		A	B	C	C	Enclosure Box	
M M	under 8	0.03	0.05	0.10	0.20	PART NAME	9"H x 9"W x 4.15"D
	8 - 25	0.05	0.08	0.20	0.30	PART NO.	
	25 - 80	0.08	0.12	0.30	0.40	CHECK	Linda Li
	80 - 250	0.12	0.20	0.40	0.50	DRAWING NO.	MU58-B
	over 250	0.20	0.30	0.50	0.60	MATERIAL	ABS Engineering Plastic
I h	FRACTIONS	DECIMALS		ANGLES		FINISH	
	.1/8	0.0	.0030	.0' 15'			
		0.00	.0015				
		0.000	.0005				
						SHEET	1 of 2
						VERSION	02
						SCALE	None
						UNITS	elm/(inch)

NO.	Revision	Changed	Date	Approved
△	Change from 02.54 to 02.85	Daisy.W	2010.7.15	Dave.S
△				



技术要求:

1. AM'Ci,
 2. *11lti'11?.
 3. fAIN. NOTE: 1. The surface should be neat and no burr.
2. The unmarked radius of rounded angle is R2. 3. UV resist.

CLASS	TOLERANCE				PART NAME	TITLE		
	A	C	B	B				
under 8	0.03	0.05	0.10	0.20	9"H x 9"W x 4.15"D	Enclosure Box		
8- 25	0.05	0.08	0.20	0.30		Drawing	Daisy Wu	
mm	25- 80	0.08	0.12	0.30	PVCB2GRY	CHECK	Linda Li	
	80- 250	0.12	0.20	0.40		0.50	APPROVAL	
	over 250	0.20	0.30	0.50		0.60		
FRACTIONS		DECIMALS		ANGLES		MATERIAL	DRAWING NO.	
In	±1/8	0.0	±0.030	1:1° 15'		ABS Engineering Plastic	M058-B	
		0.00	±0.015					
		0.000	±0.005					
						SCALE	UNITS	
						None	mm(ft)	