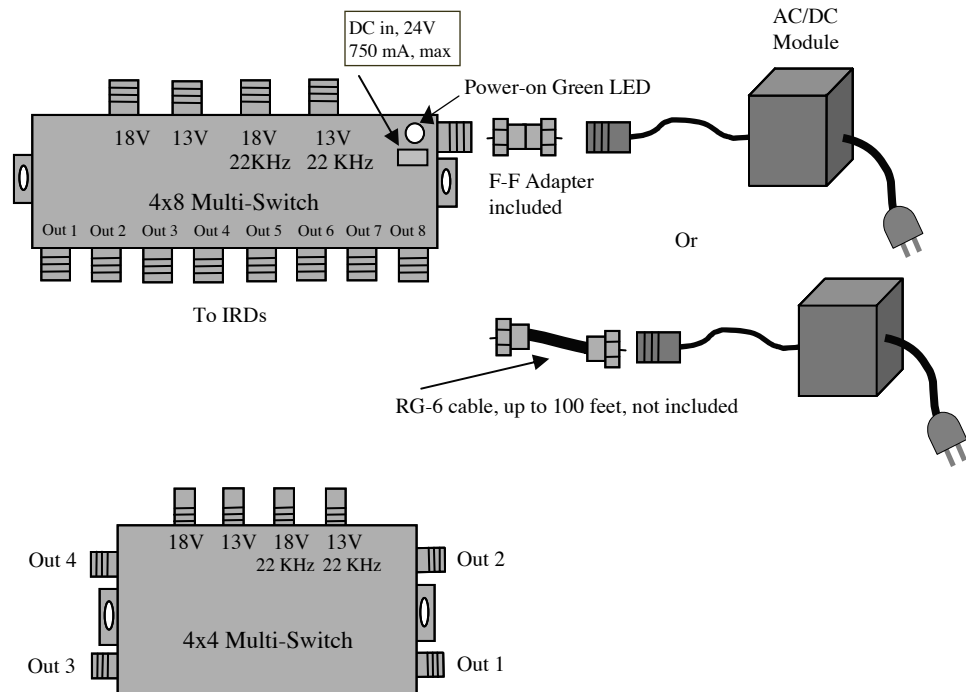


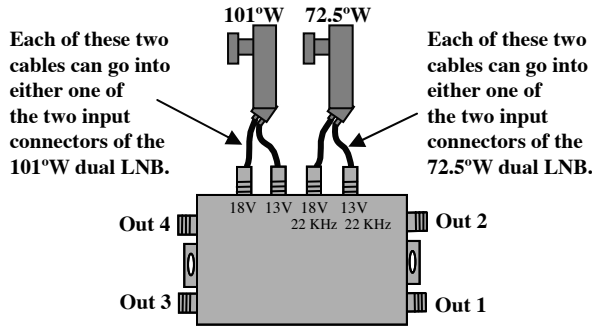
## 72.5°W or 95°W Installation Guide using Existing 4x4 or 4x8



- ▶ The 4x4 and the 4x8 Multi-Switches are sealed so they can be used either indoors or outdoors in extreme temperature range from  $-34^{\circ}\text{C}$  to  $+60^{\circ}\text{C}$ . When placed outdoors, unused F connectors on the 4x4 or the 4x8 should have weather caps, and the cable connection should have weather boots and/or silicone grease.
- ▶ The 4x4 Multi-Switch and the LNBS connected to it are satellite receiver powered and draw currents from the receivers directly. It is therefore important to observe the 100-foot max rule (from each receiver to the dish antenna) and the rule of using a copper center-conductor RG-6 cable, to minimize the DC drop from each receiver to the dish antenna.
- ▶ The 4x8 Multi-Switch and the LNBS connected to it are powered by the AC/DC module to minimize DC drops. However, as a good practice, each RG-6 cable should be kept to 150 feet max, to maintain good satellite signal levels at the receivers' inputs.
- ▶ The 72.5°W satellite transmits both polarities (13V/18V/22 KHz) and therefore both 72.5°W LNB outputs must be connected, as shown in Figures 1 and 2. DIRECTV reserves the right to transmit/change any one or both polarities to a given local channels market, at the time of installation or at a future date.
- ▶ DIRECTV uses several downlink horizontal transponders from the 95°W satellite. The horizontal transponders use 18V/22 KHz polarity and, therefore, the cable must be connected to the corresponding connector on the 4x4 or 4x8 Multi-Switches, as shown in Figures 3 and 4.
- ▶ For 101°W/72.5°W reception, two 18" dish antennas with a 4x4 or 4x8 Multi-Switch may be used. Additional satellites require a DIRECTV® Multi-Satellite Dish Antenna for 101°/110°/119°W and the use of a 6x8 Multi-Switch. All components are available through authorized DIRECTV dealers.
- ▶ For 101°W/95°W reception, one over-sized dish with both LNBS, or equivalent, may be used.

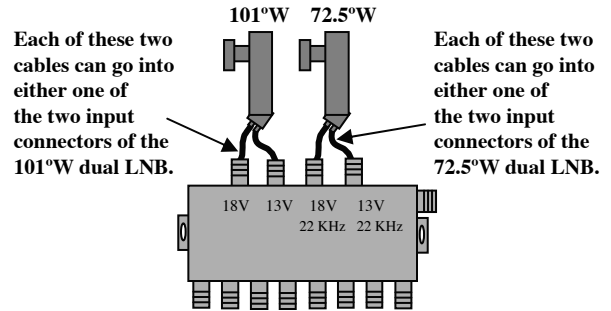
(See other side of page for installation drawings )

**Connection Diagram, 101°W and 72.5°W  
Existing 4x4 Multi-Switch  
(dishes not shown)**



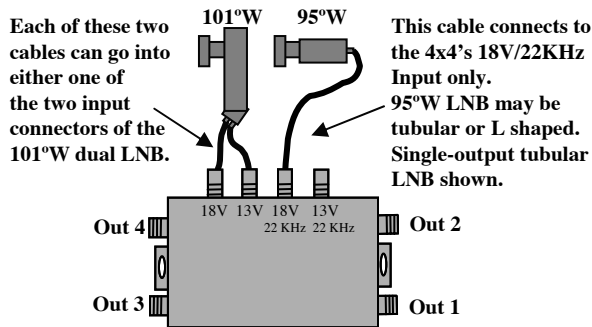
**Fig. 1**

**Connection Diagram, 101°W and 72.5°W  
Existing 4x4 Multi-Switch  
(dishes not shown)**



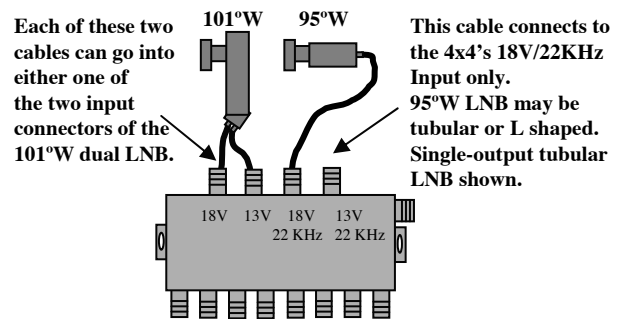
**Fig. 2**

**Connection Diagram, 101°W and 95°W  
Existing 4x4 Multi-Switch  
(dishes not shown)**



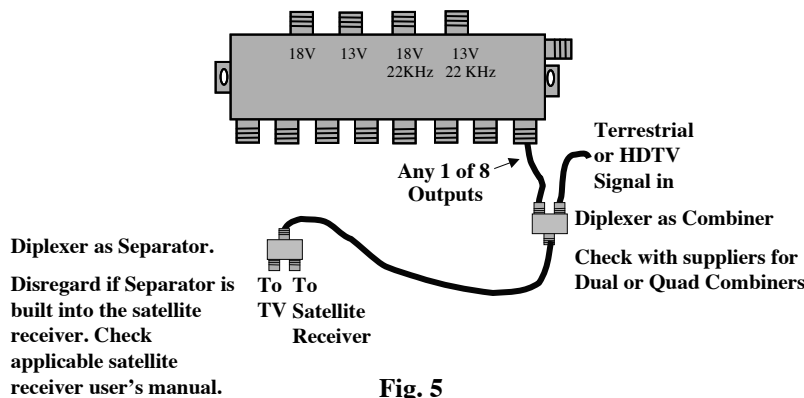
**Fig. 3**

**Connection Diagram, 101°W and 95°W  
Existing 4x4 Multi-Switch  
(dishes not shown)**



**Fig. 4**

**Low-loss Addition of Terrestrial HDTV Signal  
or Off-air Signal to Satellite Signal  
(applicable to either 4x4 or 4x8 Multi-Switches, only 4x8 shown)**



**Fig. 5**